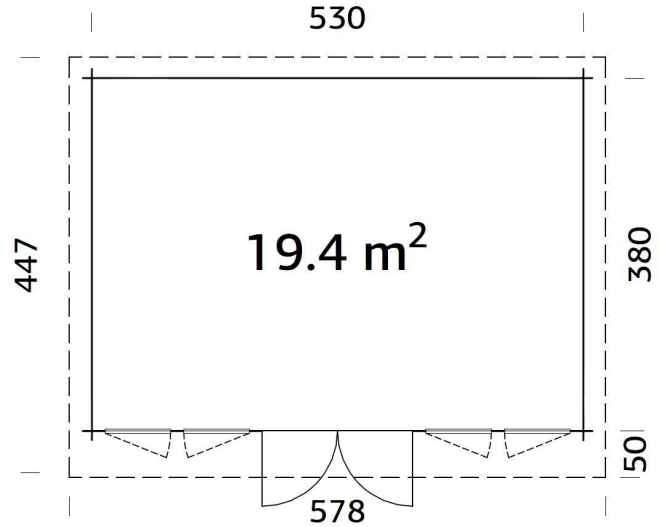


# Seattle



## FULL SPECIFICATION

	Wall Thickness	44mm		Roof Board	19mm
	Wall Measurements	530 x 380cm		Floor Boards	19mm
	Log Measurements	550 x 400cm		Type Door/Window	Garden
	Wall Height	200cm		Double Real Glass 3-6-3	
	Total Height	234cm		Door, Opening Measurements	151 x 175cm
	Area	19.4m <sup>2</sup>		Window, Opening Measurements	60 x 111cm
	Volume	41.9m <sup>3</sup>		Pack Size	6 x 1.2 x 0.9m
	Roof Overhang	50cm		Pack Weight	1545kg
	Roof Area / Roof Gradient	25.4m <sup>2</sup> / 5.2°			

**FLEXIBLE FINANCE OPTIONS AVAILABLE**

